



REV 1.6

Installation Guide

ITrax02 Evaluation Kit

1.12

This document describes how to install ITrax02 Evaluation Kit and GPS WorkBench.

2002-12-05

Fastrax Oy

CHANGE LOG

Rev	Notes	Date
1.3	1.8 changes	9.12.2002
1.4	Fixed typos	11.12.2002
1.5	Changes to references	11.12.2002
1.6	Page numbers corrected	11.12.2002

CONTENTS

1.	SYSTEM REQUIREMENTS	5
2.	HARDWARE INSTALLATION	6
3.	INSTALLING THE GPS WORKBENCH SOFTWARE	7
3.1	Starting installation	7
3.2	Completing installation	7
3.3	Starting GPS WorkBench	8

COMPLEMENTARY READING

The following reference documents are complementary reading for this document:

Ref. #	Date	Document
01		iTrax02 Evaluation Kit: GPS Workbench Users Guide
02		iTrax02 Evaluation Kit: iTalk Protocol Specification
03		iTrax02 Evaluation Kit: GPS Wb Data Format Description

1. SYSTEM REQUIREMENTS

- 300MHz processors or faster
- 64MB system RAM
- Windows 98, Me, NT4, 2000, XP (Windows 95 not supported)
- 4X CD-ROM
- Minimum display resolution of 1024 x 768 for the optimum usage of the Fastrax GPS WorkBench

2. HARDWARE INSTALLATION

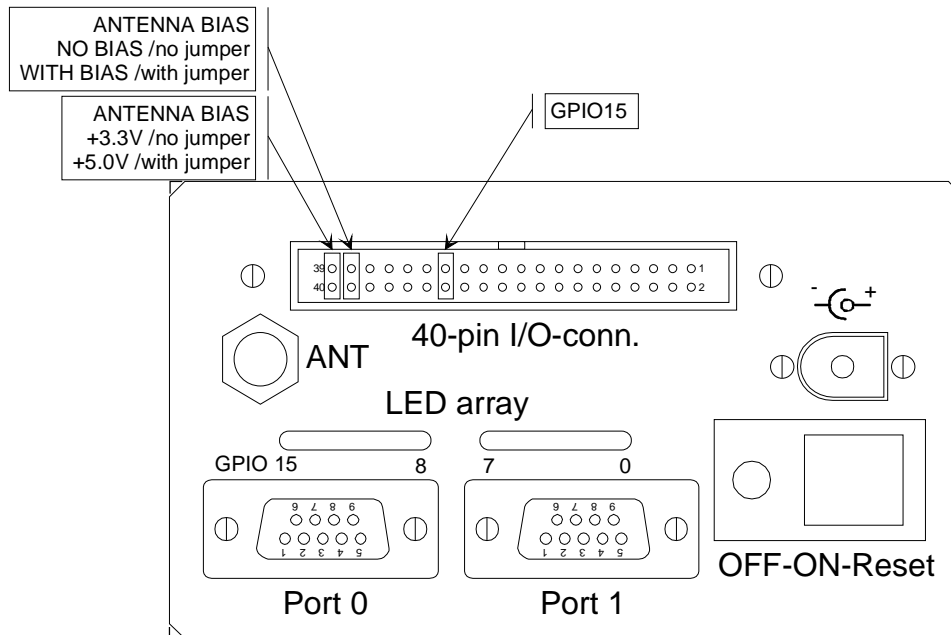


Figure 1 Back panel of the Evaluation Kit

In order to install the hardware please follow these steps:

- Check the Antenna Bias jumper from figure 1 (factory default +5V, suitable with the antenna supplied with the Kit). If necessary change according to your GPS Antenna.
- Connect the GPS Antenna to the ANT connector (SMA).
- Connect Port 0 with the supplied Null-Modem cable to COM1 on your computer.
- Check the mains plug of the power supply, change if necessary.
- Connect the DC power supply to the mains and the DC-cable with the plug to the 2.1mm socket.

Switch OFF-ON-Reset to ON-position (middle position) and built-in indicator (blue) should be active. If not, check to polarity of the DC-connector.

The performance of any GPS receiver is depending on the antenna installation. A good installation has all sky satellite visibility. If you are using other antenna than the GPS Antenna supplied with the Kit, use a GPS antenna with net gain including cables between +10 dB...+32 dB.

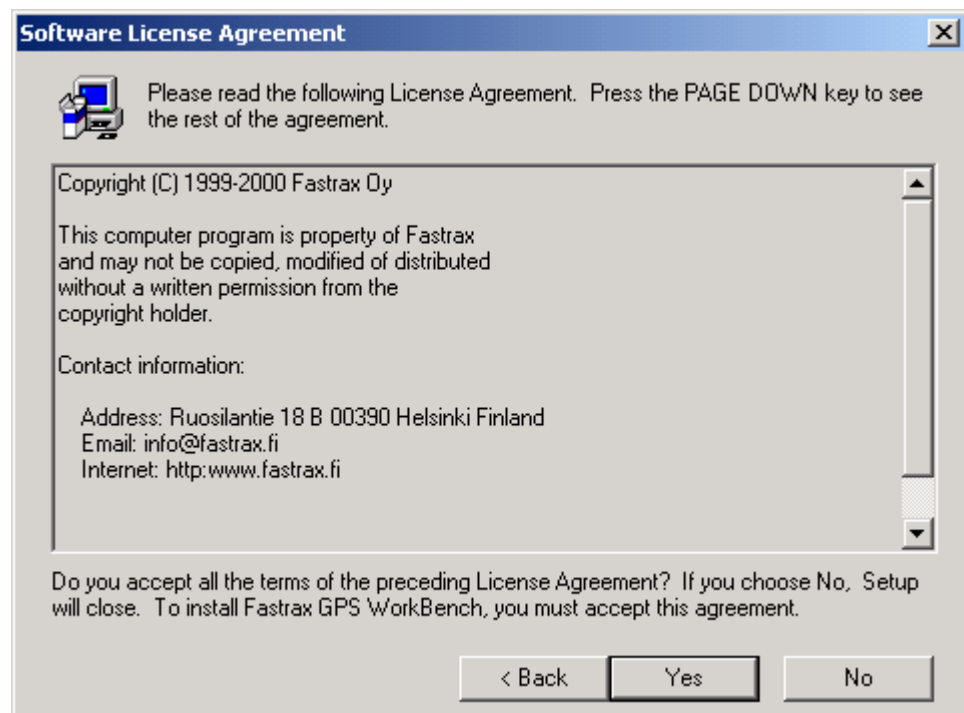
3. INSTALLING THE GPS WORKBENCH SOFTWARE

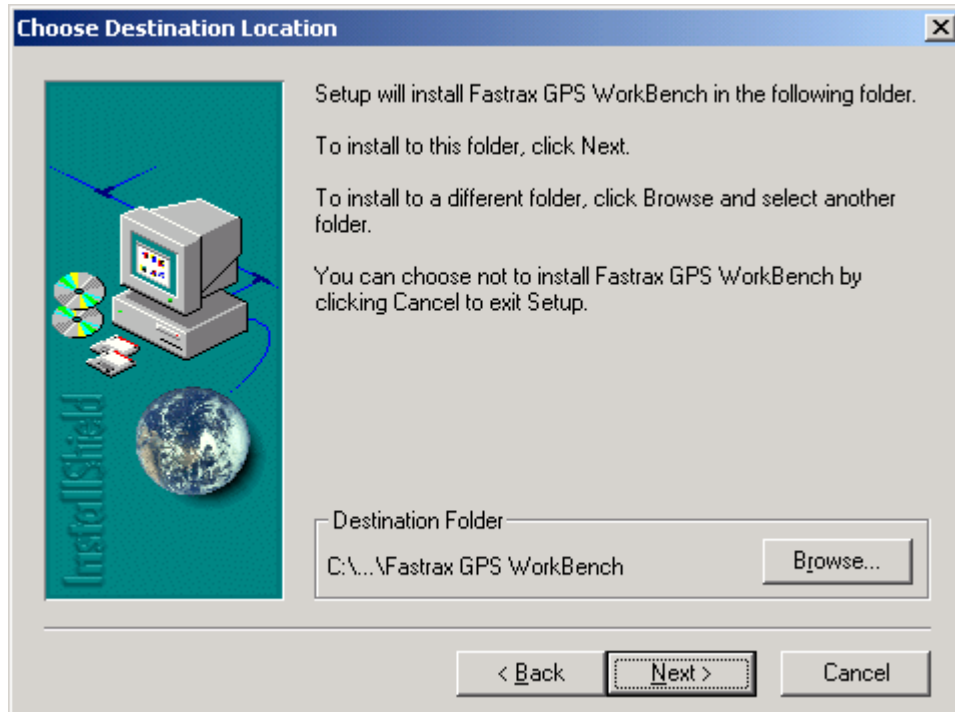
3.1 Starting installation

Insert “GPS WorkBench for iTrax02 Evaluation Kit” CD to CD-drive. If setup does not start automatically, browse for “setup.exe”- file on the CD root directory and double-click it.

3.2 Completing installation

“Setup.exe” starts the InstallShield program, which installs the iTrax GPS WorkBench software. During installation, you will be prompted to accept the license agreement to select an installation directory.





You may change the default installation directory by clicking “Browse” and selecting a directory of your choice.

3.3 Starting GPS WorkBench

After installation is complete, you will be able to start the GPS WorkBench by double-clicking this icon on your desktop.

